



INDUCTIVE CONDUCTIVITY TRANSMITTER

“ALL STAINLESS STEEL”

ECT



- ▶ **COMPACT ALL STAINLESS DESIGN**
- ▶ **FAST TEMPERATURE COMPENSATION**
- ▶ **EASY SET-UP**
- ▶ **ADJUSTABLE VIA PC SOFTWARE**
- ▶ **ELECTRONICS FULLY ENCAPSULATED**
- ▶ **CIP AND SIP CLEANABLE**
- ▶ **HYGIENIC DESIGN**
- ▶ **DUAL 4-20 mA OUTPUT**
- ▶ **PROTECTION IP68 / IP69K**

Description:

The Klay ECT is a **Compact Conductivity transmitter** with a Stainless Steel electronics housing and fully encapsulated electronics. The ECT has two analogue outputs, one for conductivity and one for temperature. It is very easy adjustable in various ranges via PC with software. There are 14 predefined measuring ranges and a customized adjustable range available (See table page 2). The ECT has a very fast response time of only $t_{90} < 9$ sec! Standard process connection is our hygienic G1” threaded connection and with our modular adapters all common hygienic process connections are available, like Tri-clamp, Milkcoupling, varivent and many others.

When using the DN50 milkcoupling or 2”Tri clamp process connection you need to choose the extended sensor length of 91 mm (ECT-L). In that case the minimum pipe line diameter for mounting needs to be 21/2”.



SS electronics housing

 **KLAY-INSTRUMENTS B.V.**
www.klay-instruments.com

Nijverheidsweg 5
P.O. Box 13
T: +31 521-591550
F: +31 521-592046

7991 CZ Dwingeloo
7990 AA Dwingeloo
The Netherlands
info@klay.nl

Specifications

Supply :	: 18...32 Vdc
Accuracy :	: 2% from measuring range
Principle :	: Inductive conductivity
Output :	: 2x 4-20 mA
Ranges :	: 0 – 0.5 mS/cm to 0 – 999 mS/cm
Calibration :	: By PC - software
Electrical connection :	: 2x M12 5 pole
Response time :	: T90 < 9 sec.
Material housing :	: AISI 304
Material sensor :	: AISI 316L and PEEK
Other wetted parts :	: AISI 316L
Protection :	: IP 68 / 69K
Process temperature :	: 0 to 100°C (150°C / 1 hour)
Ambient temperature :	: -20°C to 60°C
Insertion lengths :	: 42 mm Standard. Option: 91 mm
Max. pressure :	: 10 bar
Process connections :	: G1" (Standard) : Milkcoupling, Tri clamp, Varivent, etc

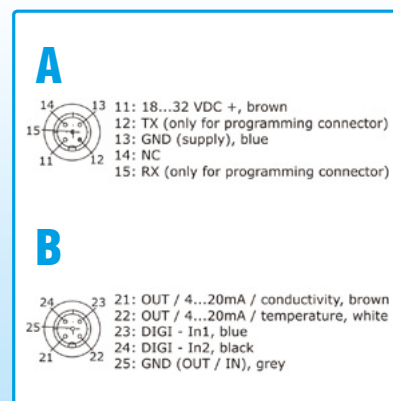
Measuring range Conductivity:

Conductivity measuring Range	Measuring range mS/cm	Resolution for measuring range mS/cm
C MR 1	0 ... 0.5	0,001
C MR 2	0 ... 1,0	0,001
C MR 3	0 ... 2,0	0,01
C MR 4	0 ... 3,0	0,01
C MR 5	0 ... 5,0	0,01
C MR 6	0 ... 10,0	0,01
C MR 7	0 ... 20,0	0,1
C MR 8	0 ... 30,0	0,1
C MR 9	0 ... 50,0	0,1
C MR 10	0 ... 100,0	0,1
C MR 11	0 ... 200,0	1,0
C MR 12	0 ... 300,0	1,0
C MR 13	0 ... 500,0	1,0
C MR 14	0 ... 999,0	1,0
C MR 15	By customer	Tbd

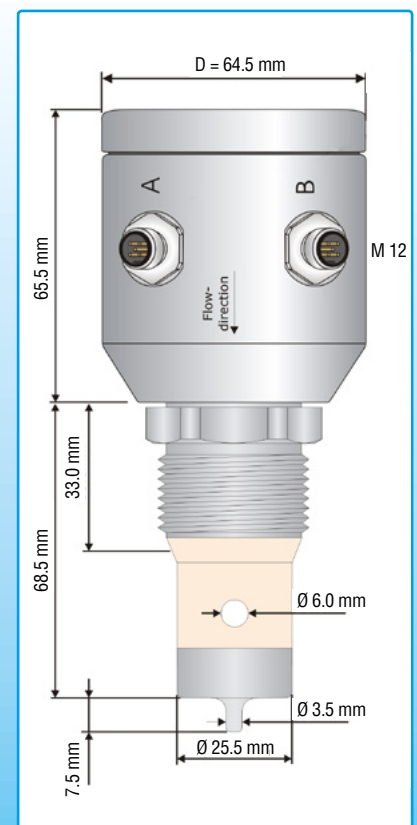
Measuring range Temperature

Temperature Measuring range	Measuring Range °C
T MR 1	0 ... 150
T MR 2	min 20 ... 130
T MR 3	0 ... 100
T MR 4	20 ... 80
T MR 5	0 ... 50
T MR 6	min 10 ... 40
T MR 7	min 20 ... 150
T MR 8	By customer

Electrical connection



Dimensions



Ordering code ECT

ECT	Ordercode: ECT -	
ECT-L Extended sensor	Ordercode: ECT - L -	
Processconnection		▲
- 1" BSP (G1") = standard		S
- Milkcoupling DN 50 (Use type ECT-L)		M50*
- Tri clamp 2" (Use type ECT-L)		L(2")*
- Varivent, Type N (DN50)		X4
Accessories (Option)		
- PC USB Interface		-
- M12 cable adapter		-
- Hygienic G1" weld-on nipple. Article No.: 10189		-

*When using the ECT-L extended sensor, min. pipe size 21/2".